

**18 Series  
General Purpose Filter  
1 1/2" and 2" Port Sizes**

- **Protects air operated devices by removing liquid and solid contaminants**
- **Highly visible, prismatic liquid level indicator lens**
- **Can be disassembled without removal from the air line**
- **Two gauge ports on top of body for installation of pressure gauges**
- **Optional visual service indicator turns from green to red when the filter element needs to be cleaned or replaced**
- **Optional electrical service indicator also available**


**Technical Data**

Fluid: Compressed air

Maximum pressure: 17 bar (250 psig)

Operating temperature\*: -20° to +80°C ( 0° to +175°F)

\* Air supply must be dry enough to avoid ice formation at temperatures below +2°C (+35°F).

Particle removal: 5 µm, 25 µm, 40 µm or 100 µm filter element

Air quality: Within ISO 8573-1, Class 3 and Class 5 (particulates)

Typical flow with a 40 µm element at 6,3 bar (90 psig) inlet pressure and 0,5 bar (7 psig) pressure drop: 765 dm<sup>3</sup>/s (1 625 scfm)

Nominal bowl size: 0,2 litre (7 fluid ounce)

Manual drain connection: 7/16-24 UNS male for 1/4" tube nut and ferrule (1/4 turn drain only)

Automatic drain connection: 1/8"

Automatic drain operating conditions:

Minimum pressure: 0,7 bar (10 psig).

Drain opens when bowl pressure drops below 0,2 bar (3 psig).

Minimum air flow: 1 dm<sup>3</sup>/s (2 scfm) required to close drain.

Materials:

Body: Aluminium

Intermediate body: Aluminium

Bowl: Aluminium

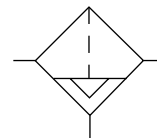
Metal bowl liquid level indicator: Transparent nylon

Filter element: Sintered bronze

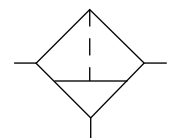
Elastomers: Neoprene and nitrile

**Ordering Information**

See *Ordering Information* on following pages.

**ISO Symbols**


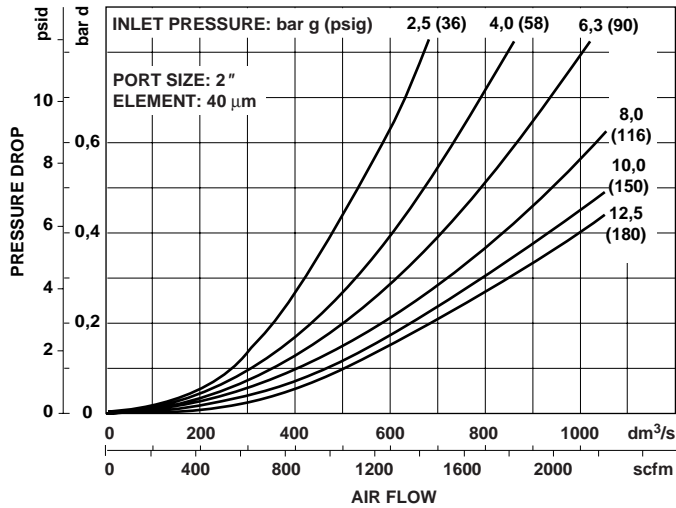
Automatic drain



Manual drain



### Typical Performance Characteristics



### Ordering Information

Models listed include automatic drain, 40 µm element, metal bowl with sight glass, and ISO G threads.

Port Size	Model Numbers	Flow dm³/s (scfm) *	Weight kg (lbs)
G1 1/2	F18-B00-A3DG	765 (1625)	6.76 (14.90)
G2	F18-C00-A3DG	765 (1625)	6.65 (14.65)

\* Typical flow with a 40 µm element at 6,3 bar (90 psig) inlet pressure and 0,5 bar (7 psid) pressure drop.

### Alternative Models

F 1 8 - ★ ★ ★ - ★ ★ ★ ★

Port Size	Substitute
1 1/2"	B
2"	C

Option	Substitute
Not applicable	0

Service Indicator	Substitute
Without	0
With pneumatic (Littleton only)	1
With electrical (Littleton only)	4

Threads	Substitute
PTF	A
ISO Rc taper	B
ISO G parallel (Littleton only)	G
ISO G parallel (Shipston only)	D

Bowl	Substitute
Metal with sight glass	D
Metal	M

Element	Substitute
5 µm	1
25 µm	2
40 µm	3
100 µm	4

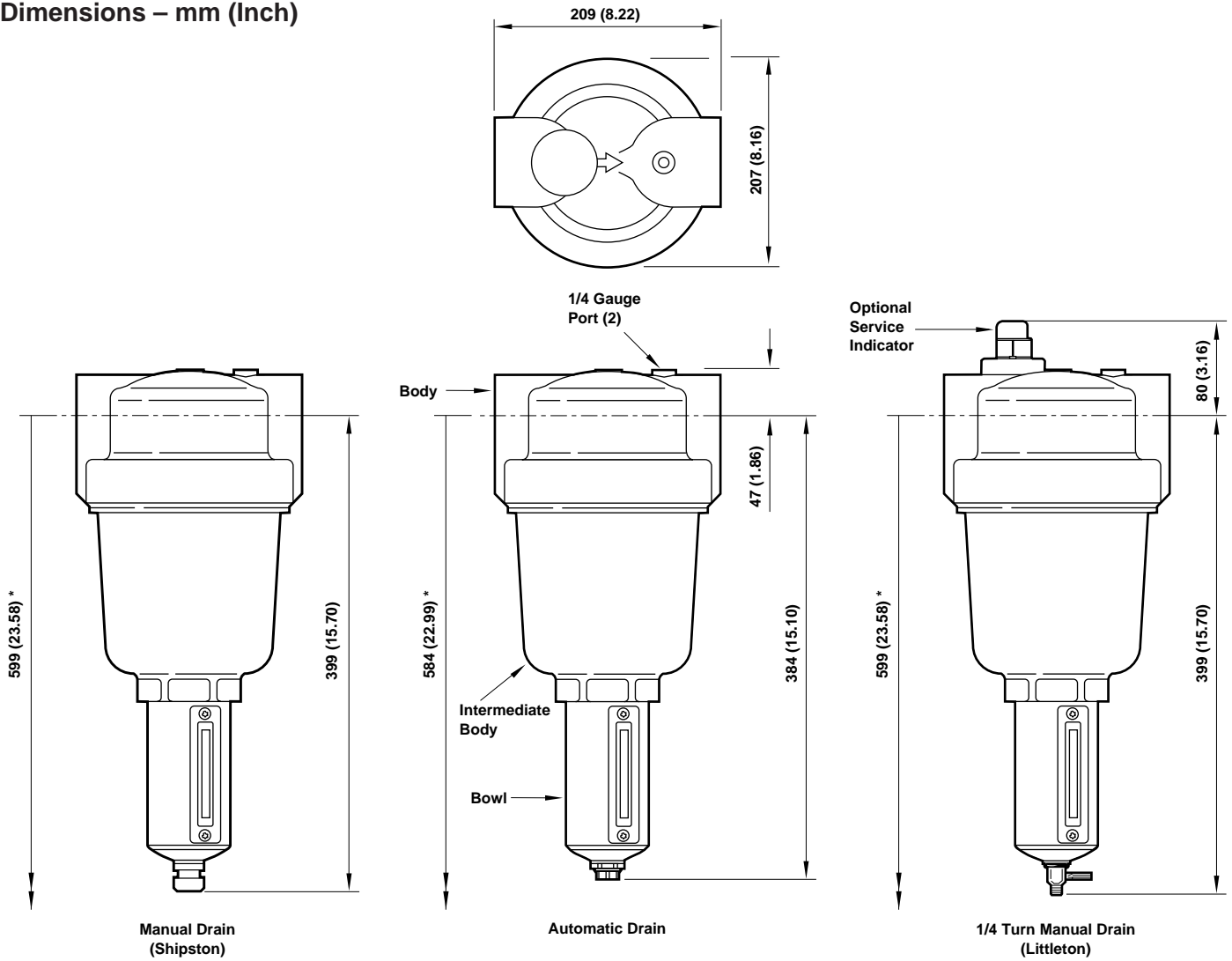
Drain	Substitute
Automatic	A
Manual 1/4 turn (Littleton only)	T
Manual (Shipston only)	M

### Accessories

<p>Service Life Indicator (Littleton only) (visual)</p> <p>5797-50</p>	<p>Service Life Indicator (Littleton only) (electrical)</p> <p>4020-51</p>
----------------------------------------------------------------------------	--------------------------------------------------------------------------------



**Dimensions – mm (Inch)**



\* Minimum clearance required to remove intermediate body and bowl.

**Service Kits**

Item	Type	Part Number
Service kit	Seal & Gasket	4945-50
Replacement elements	5 µm	5882-11
	25 µm	5882-12
	40 µm	5882-13
	100 µm	5882-14
Service life indicator (Littleton)	Visual	5797-50
	Electrical	4020-51
Liquid level lens kit	Prismatic	4380-050
Replacement drains	Automatic (1/8 NPT outlet)	3000-10
	Automatic (G1/8 outlet)	3000-97
	Manual quarter turn	619-50
	Manual	684-84

Service kit contains body o-ring, element gasket, automatic drain gasket, and bowl o-ring.



## Warning

These products are intended for use in industrial compressed air systems only. Do not use these products where *pressures* and *temperatures* can exceed those listed under '**Technical Data**'.

Before using these products with fluids other than those specified, for non-industrial applications, life-support systems, or other applications not within published specifications, consult Norgren.

Through misuse, age, or malfunction, components used in fluid power systems can fail in various modes. The system designer is warned to consider the failure modes of all component parts used in fluid power systems and to provide adequate safeguards to prevent personal injury or damage to equipment in the event of such failure.

**System designers must provide a warning to end users in the system instructional manual if protection against a failure mode cannot be adequately provided.**

System designers and end users are cautioned to review specific warnings found in instruction sheets packed and shipped with these products.

Water vapor will pass through these units and will condense into liquid if air temperature drops in the downstream system. Install an air dryer if water condensation could have a detrimental effect on the application.